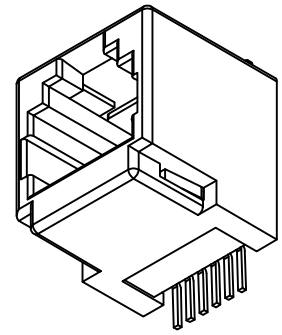


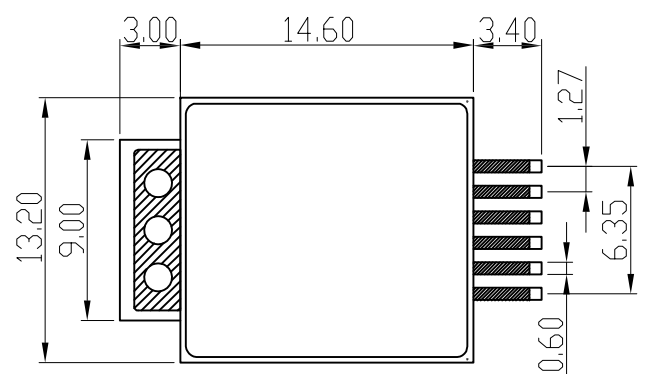
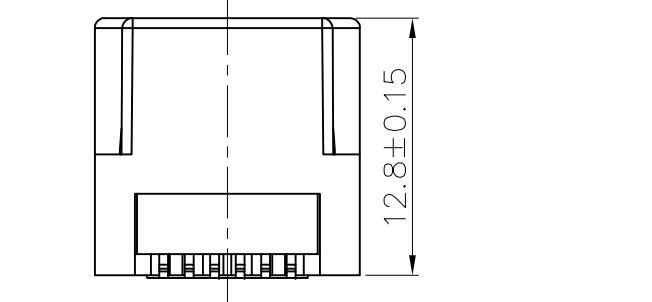
NOTE:  
 1.MATERIAL:  
 1.1 HOUSING: LCP BLACK UL94V-0  
 1.2 CONTACT: C5191  
 1.3 PAD: C2680  
 2.ELECTRICAL CHARACTERISTICS:  
 2.1 CONTACT RESISTANCE: 20mΩ Max.  
 2.2 CURRENT RATING: 1.5A  
 2.3 CURRENT VOLTAGE: 125 VAC RMS  
 2.4 DIELECTRIC WITHSTANDING VOLTAGE:  
 1000V AC/1500V DC R.M.S.(0.5mA 50Hz/60Hz 1 min.)  
 2.5 INSULATION RESISTANCE 1000MΩ Min 500V DC  
 2.6 OPERATING TEMPERATURE: -40°C ~ 85°C  
 3 MECHANICAL CHARACTERISTICS:  
 3.1 MATING/UNMATED FORCE: 30N.  
 3.2 DURABILITY: 750 Cycles Min.  
 4.PLATING  
 4.1 CONTACT: Gold Plated all over Ni  
 and Tin Plated on solder area  
 4.2 PAD: Tin Plated over Ni

RoHS  
Compliant



ORDER INFORMATION

A	W	J	01	66	2	XX	P	0	A	M	-129
Layer A: Single B: Dual	M: Bottom /Reverse W: Top /Positive D: Dual (Bottom+Top)	J: Jack S: Sunk O: Open	Port No.	44: 4P4C 62: 6P2C 64: 6P4C 66: 6P6C 88: 8P8C 18: 10P8C 10: 10P10C	1: SMT RA 2: SMT VT 3: DIP RA 4: DIP VT 5: DIP 45° 6: DIP Upright	G1: G/F G2: 5u" G3: 10u" G4: 15u" G5: 30u" G6: 50u" G7: 3u" G8: 6u"	P: Plastic E: Metal w/1 EMI D: Metal w/2 EMI Z: Metal w/o EMI	Filter 0: w/o Filter 1: w/Gigabyte 2: w/100/10	LED light A: w/o LED	Height: M: 12.8	



PCB LAYOUT/TOP VIEW  
TOLERANCE=±0.05

REV.	REVISION RECORD	DATE	General Tolerance		
A	Original	03/08/16"	LINEAR	ANGLE ±3°	
					TITLE: Modular Jack 6P6C SMT Vertical Type 12.8H
			A4	UNIT:mm	DWG.NO:AWJ01662XXP0AM-129
			APPROVED	SUNNY	REV. A
			DESIGNER	TED	
			DRAWN	WING	SCALE 1:1 SHEET 1 OF 1